

XiLog[®]

Options + ancillaries

Technical Note IXD-601-TN Issue 1



XiLog standard model - internal battery + antenna



External antenna options provide for improved GSM signal conditions above and below ground

External power supply options (XiLog-S) allow permanent 24 hour communications mode

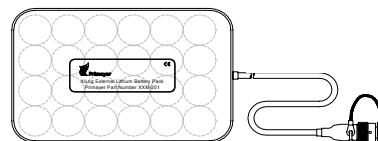


XiLog-S external power options

Mains power (part number XXG 410)

The mains supply (pictured above) operate from 100 – 280VAC and frequency 50/60Hz. It will power the XiLog-S for interrogation at any time of day.

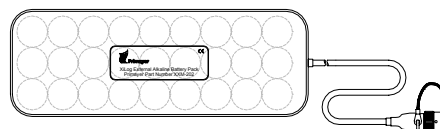
Battery power – lithium (part number XXM 201) The lithium battery pack will typically power the XiLog-S to be available for communications continuously for 3 years (24 hours per day, 7 days per week).



Battery power – alkaline

 (part number XXM 202)

The alkaline battery supply will typically power the XiLog-S to be available for communications for 5 years during working hours (8 hours per day, 5 days per week). This pack avoids the Hazardous Packing airfreight regulations associated with lithium batteries.



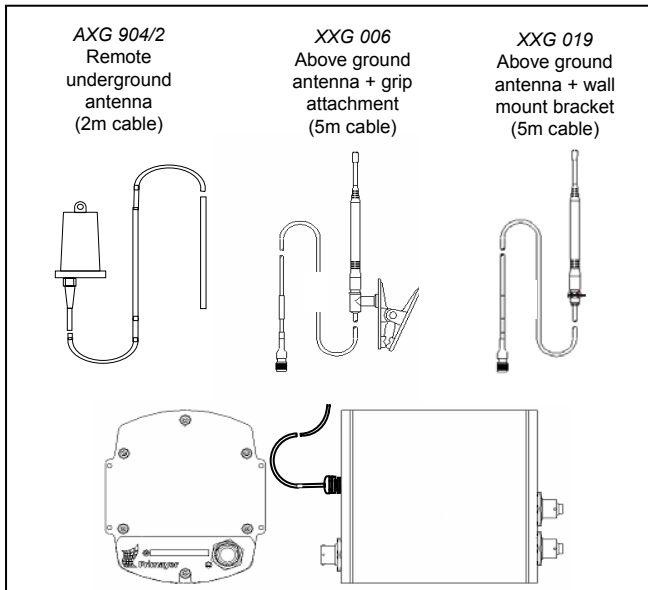
Solar

Solar power solutions have been implemented. Solar panels typically connect via a charging controller to a nominally 12V lead-acid battery. Special cable is required from Primayer dependant upon chosen system. Contact Primayer for further advice on solar powering.

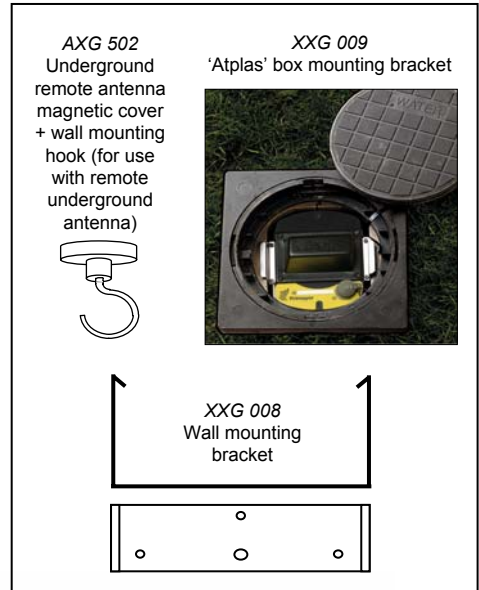


Solar power installation in Ireland

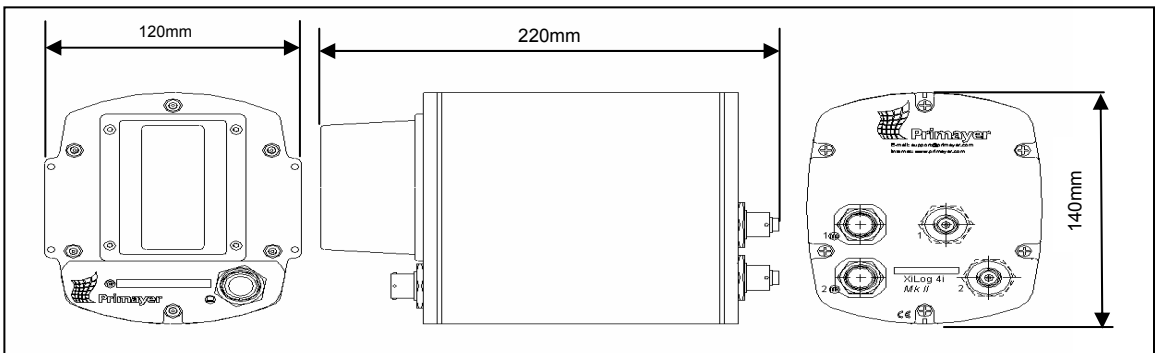
XiLog - remote antenna version options



XiLog – mounting accessories



Dimensions – XiLog integral antenna version



Dimensions approximate
Not to scale E&OE
Specifications are subject to change without notification

Part Numbers

XiLog description	Integral antenna battery powered	Remote antenna battery powered	Integral antenna mains powered	Remote antenna mains powered
XiLog 1F - Flow Logger	XA1 001	XB1 001	XE1 001	XF1 001
XiLog 1P - Pressure Logger; Accuracy 0.5%; 10 Bar	XA2 105	XB2 105	XE2 105	XF2 105
XiLog 1P - Pressure Logger; Accuracy 0.5%; 20 Bar	XA2 205	XB2 205	XE2 205	XF2 205
XiLog 1P - Pressure Logger; Accuracy 0.1%; 10 Bar	XA2 101	XB2 101	XE2 101	XF2 101
XiLog 1P - Pressure Logger; Accuracy 0.1%; 20 Bar	XA2 201	XB2 201	XE2 201	XF2 201
XiLog 2i - Dual Logger; Accuracy 0.1%; 10 Bar	XA4 101	XB4 101	XE4 101	XF4 101
XiLog 2i - Dual Logger; Accuracy 0.1%; 20 Bar	XA4 201	XB4 201	XE4 201	XF4 201
XiLog 2 - Dual (Flow + Analogue) Logger	XA3 001	XB3 001	XE3 001	XF3 001
XiLog 2P - Dual Channel Pressure Logger; Accuracy 0.1%; 10 Bar	XA9 101	XB9 101	XE9 101	XF9 101
XiLog 2P - Dual Channel Pressure Logger; Accuracy 0.1%; 20 Bar	XA9 201	XB9 201	XE9 201	XF9 201
XiLog 4i - Four Channel Logger; Accuracy 0.1%; 10 Bar	XA6 101	XB6 101	XE6 101	XF6 101
XiLog 4i - Four Channel Logger; Accuracy 0.1%; 20 Bar	XA6 201	XB6 201	XE6 201	XF6 201
XiLog 4 - Four Channel (2 Flow + 2 Analogue) Logger	XA5 001	XB5 001	XE5 001	XF5 001